

## Antenna - RAD-ISM-900-ANT-YAGI-3-N - 2867801

Please be informed that the data shown in this PDF Document is generated from our Online Catalog. Please find the complete data in the user's documentation. Our General Terms of Use for Downloads are valid (<http://phoenixcontact.com/download>)

Directional antenna, 868 MHz / 900 MHz, gain: 5 dBi, polarization: linear, opening angle: h/v 168°/78°, degree of protection: IP65, connection: N (female), incl. mounting bracket and mast clips



### Your advantages

- For large distances
- For stationary or linear mobile applications
- For point-to-point connections

### Key Commercial Data

Packing unit	1 pc
GTIN	
GTIN	4017918976668
Weight per Piece (excluding packing)	1,260.000 g
Custom tariff number	85177000
Country of origin	United States

### Technical data

#### Dimensions

Width	6 cm
Height	17 cm
Fixed cable length	0.60 m

#### Ambient conditions

Degree of protection	IP65
Ambient temperature (operation)	-40 °C ... 80 °C

## Antenna - RAD-ISM-900-ANT-YAGI-3-N - 2867801

### Technical data

#### General

With connecting cable	yes
Frequency range	900 MHz
	900 MHz
Horizontal beamwidth	168 °
Vertical beamwidth	78 °
Polarization	Linear vertical or horizontal
Impedance	50 Ω
Gain	5 dBi
Wind velocity	200 km/h
Connection method	N (female) with cable (0.6 m)
Fixed cable length	0.60 m
Material	Aluminum (Antenna housing)
	V2A (Bracket)
	V2A (U-shaped screw)
Mounting type	Mast mounting
External diameter	32 mm ... 60 mm (Mast)

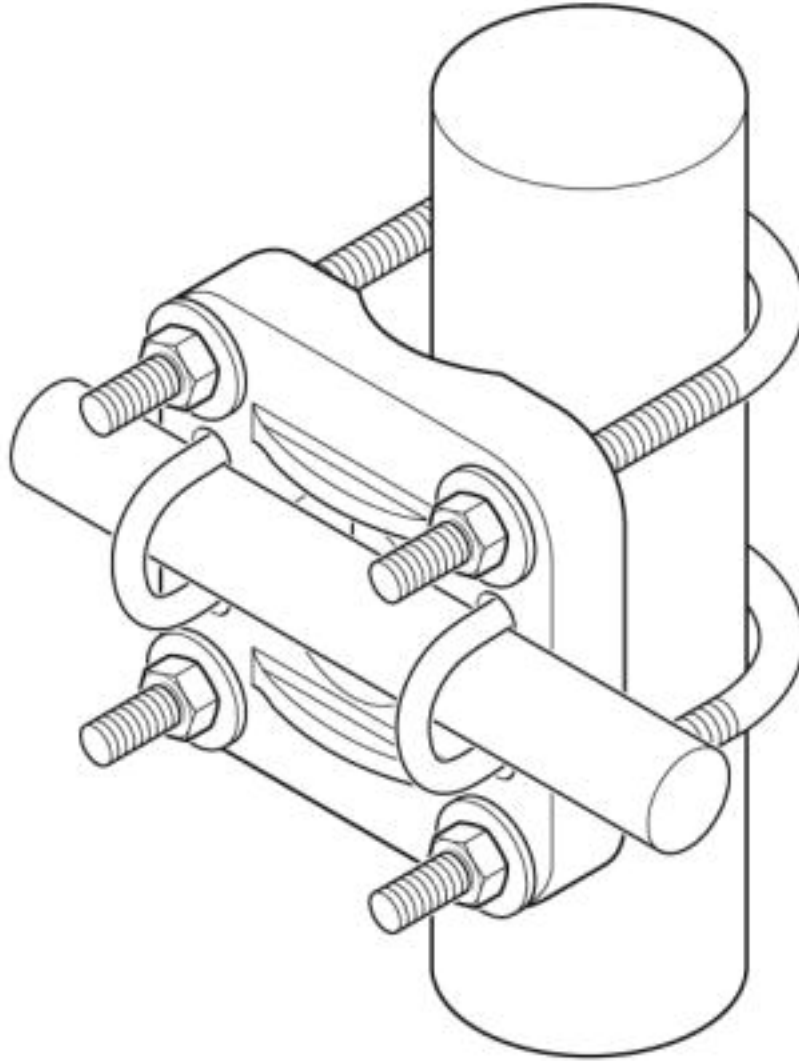
#### Environmental Product Compliance

REACH SVHC	Lead 7439-92-1
China RoHS	Environmentally friendly use period: unlimited = EFUP-e
	No hazardous substances above threshold values

### Drawings

# Antenna - RAD-ISM-900-ANT-YAGI-3-N - 2867801

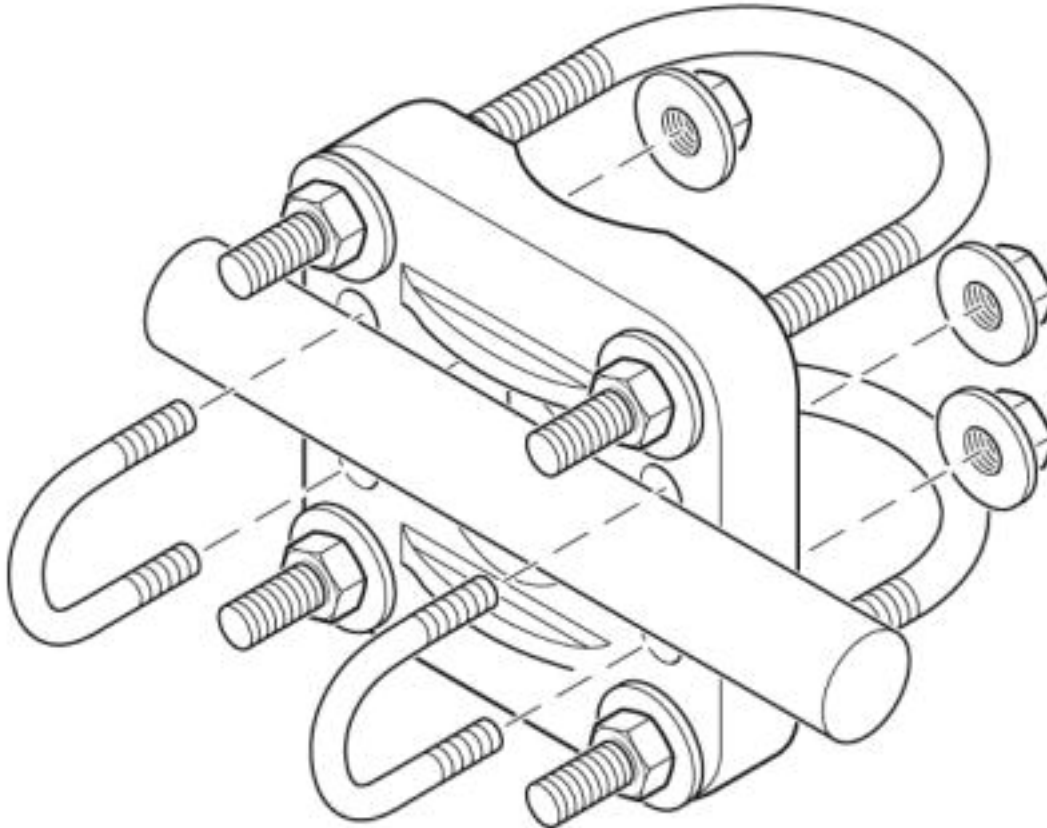
Schematic diagram



Mast mounting

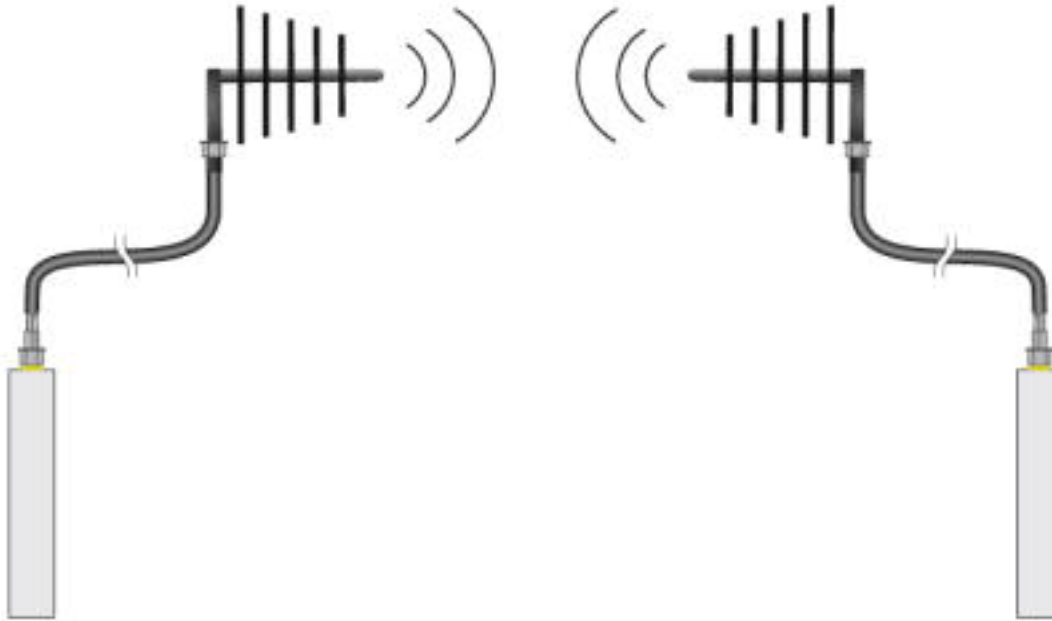
# Antenna - RAD-ISM-900-ANT-YAGI-3-N - 2867801

Schematic diagram



# Antenna - RAD-ISM-900-ANT-YAGI-3-N - 2867801

Schematic diagram



## Classifications

### eCl@ss

eCl@ss 4.0	27250300
eCl@ss 4.1	27250300
eCl@ss 5.0	19070100
eCl@ss 5.1	19070100
eCl@ss 6.0	19070100
eCl@ss 7.0	19070105
eCl@ss 8.0	19070105
eCl@ss 9.0	19070105

### ETIM

ETIM 2.0	EC000416
ETIM 3.0	EC001698
ETIM 4.0	EC001698
ETIM 5.0	EC001698
ETIM 6.0	EC001698
ETIM 7.0	EC001698

### UNSPSC

UNSPSC 6.01	43171611
-------------	----------

## Antenna - RAD-ISM-900-ANT-YAGI-3-N - 2867801

### Classifications

#### UNSPSC

UNSPSC 7.0901	43221706
UNSPSC 11	43171611
UNSPSC 12.01	43221706
UNSPSC 13.2	43221715